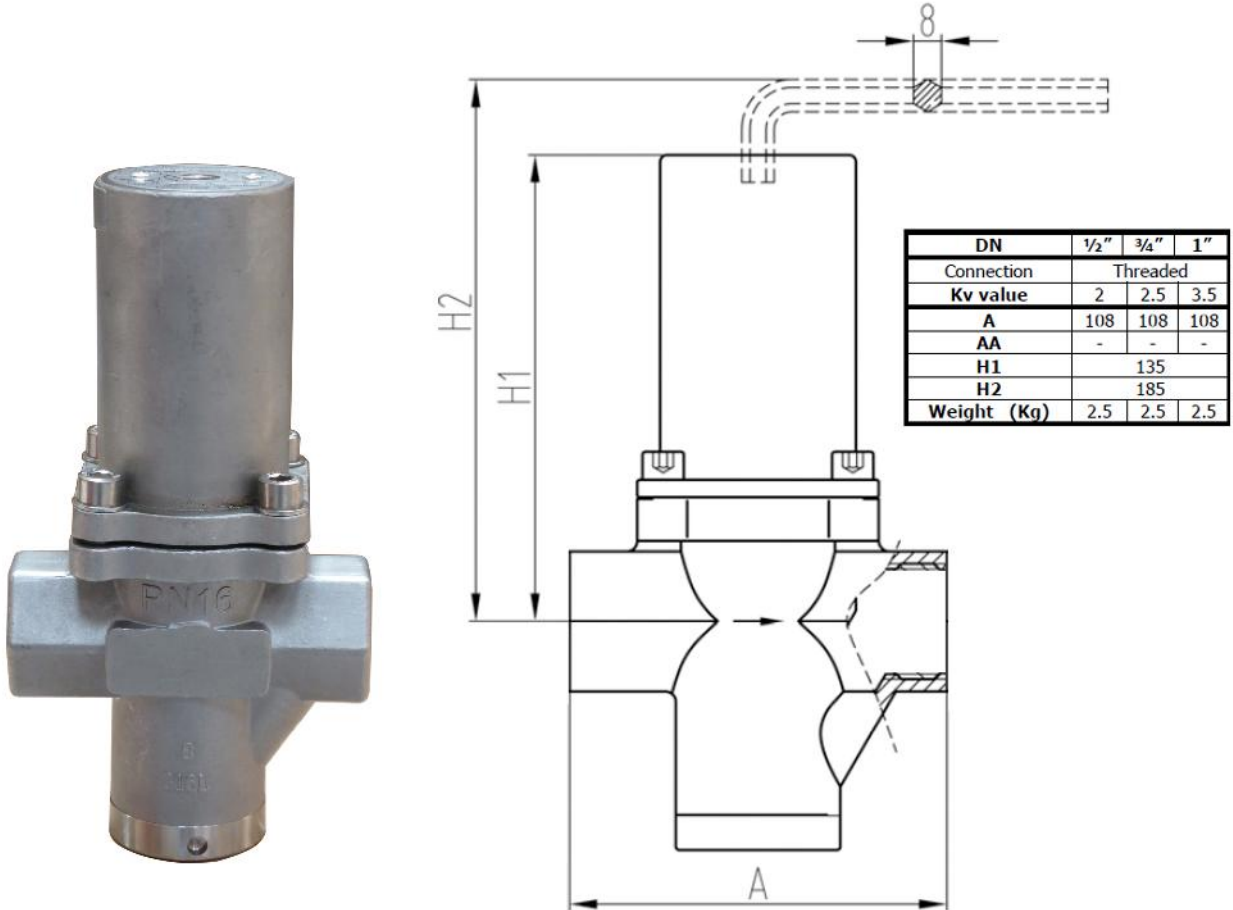


FLOWSTAR TYPE 44 STAINLESS STEEL PRESSURE REDUCING VALVE

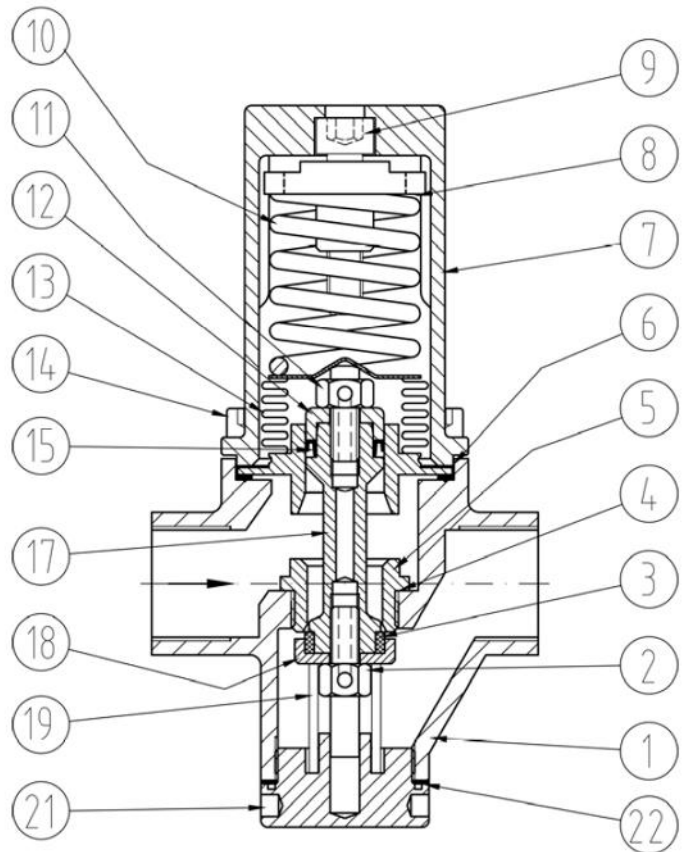


Specification

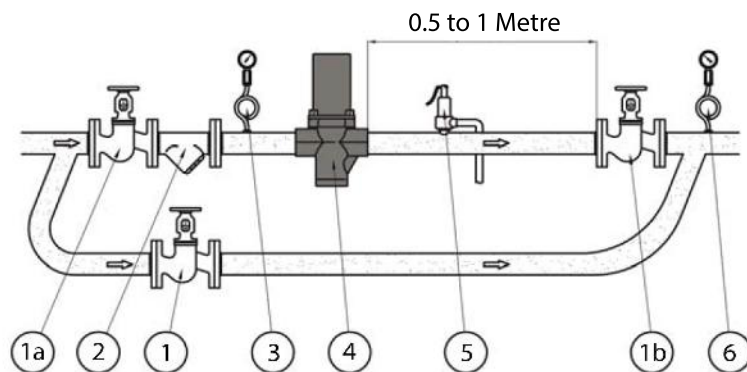
Sizes:	1/2" (DN15), 3/4" (DN20), 1" (DN25)
Connections:	Female BSP Inlet x Female BSP Outlet
Materials:	Stainless Steel
Seals:	Graphited PTFE
Medium:	Liquids, gases and steam
Inlet Pressure (Max):	16 Barg
Outlet Pressure Range:	0.2 to 8 Barg
Temperature:	-10 to 210 °C
Approvals:	PED 97/23/CE, ATEX
Kvs value:	0,2 to 3,5 m3/h
Spring Ranges:	0.2 to 2 Barg and 2 to 8 Barg

Component Diagram

1	Body	Stainless steel Aisi 316L
2	Seal screw	Stainless steel Aisi 316
3	Seal	Graphited PTFE
4	Gasket	PTFE
5	Seat	Stainless steel Aisi 316L
6	Gasket (x2)	PTFE
7	Spring cover	Stainless steel Aisi 316L
8	Washer spring	ST-52
9	Regulation screw	Stainless steel A-2
10	Regulation spring	Spring steel 52SiCrNi5
11	Bellow screw	Stainless steel Aisi 316L
12	Gasket cover	Stainless steel Aisi 316L
13	Bellow kit	Stainless steel Aisi 316L
14	Allen screw	Stainless steel A-2
15	Gasket	Graphited PTFE
17	Stem	Stainless steel Aisi 316L
18	Guide seal	Stainless steel Aisi 316L
19	Seal spring	Stainless steel 302
21	Lower Cover	Stainless steel Aisi 316L
22	Gasket	Viton



Recommended Installation



Isolation Valves - 1, 1a & 1b / Filter - 2 / Manometer and Gauge - 3, 6
 Reducing Valve - 4 / Safety Valve - 5